

Customer Information Sheet

DRAWING No.: M20-610XXXX

SHEET 2 OF 2

IF IN DOUBT - ASK

(C)

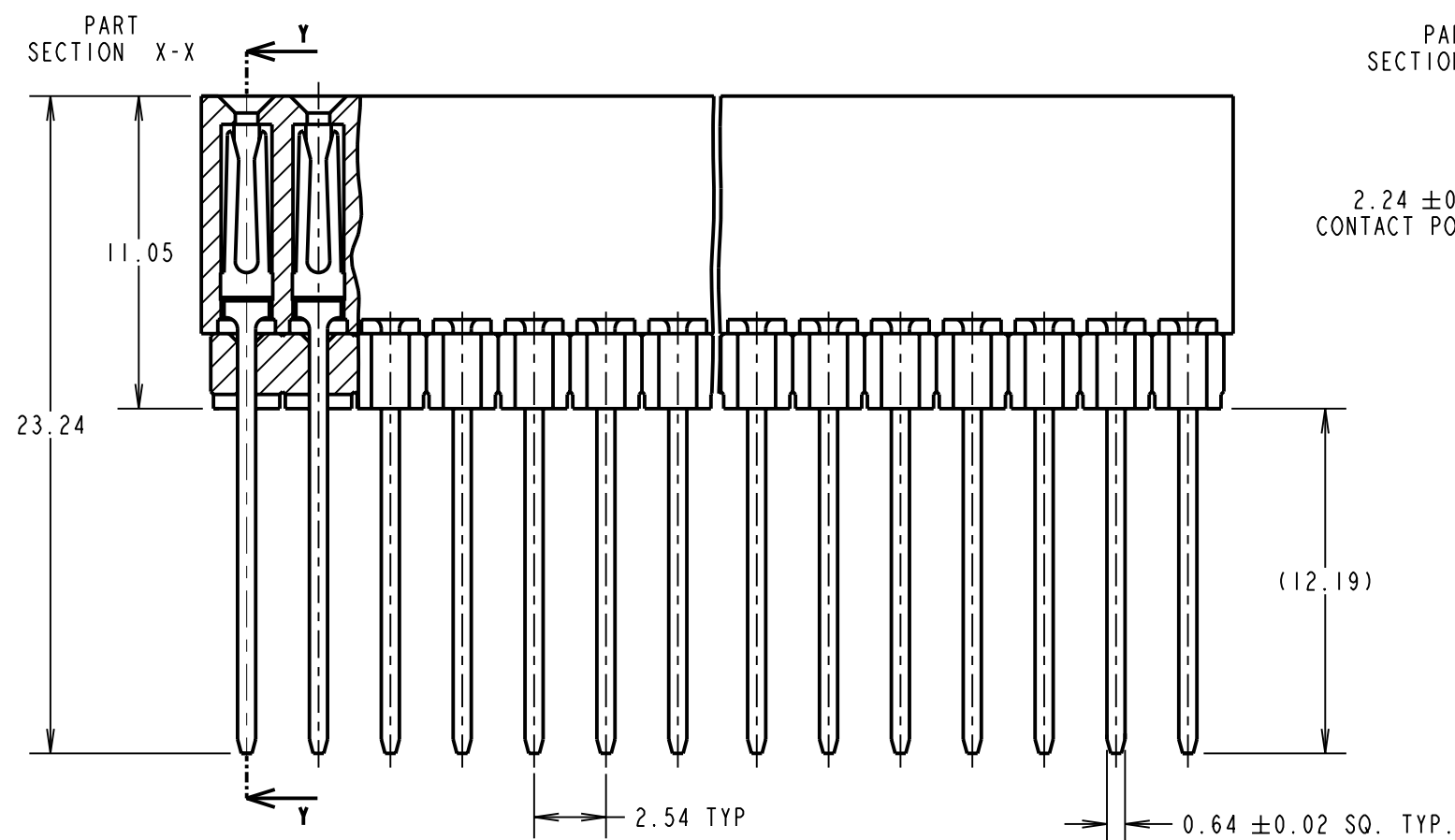
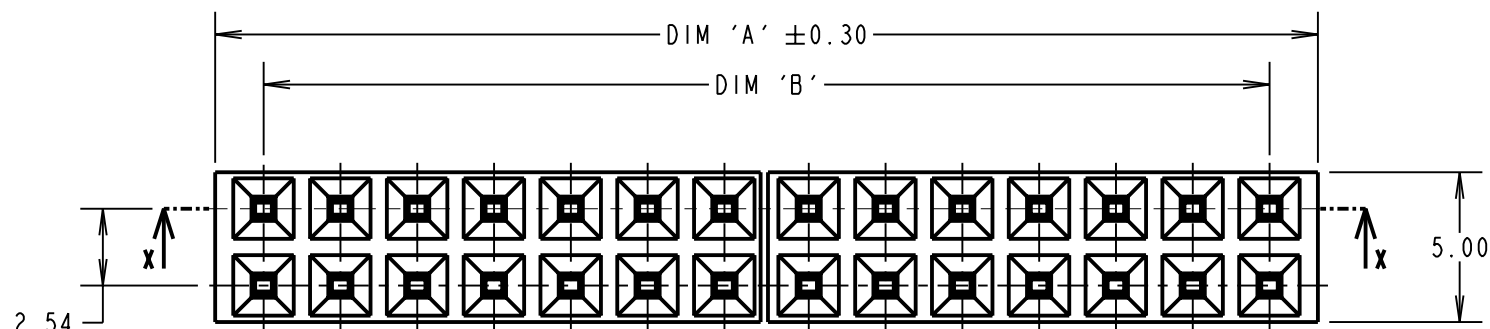
NOT TO SCALE

THIRD ANGLE PROJECTION

ALL DIMENSIONS IN mm

NOTES:

1. ALL TOLERANCES ARE ± 0.20 UNLESS OTHERWISE STATED.



SPECIFICATION:

MATERIAL:

MOULDING (05 FINISH) = GLASS FILLED PBT UL94V-0 BLACK
 MOULDING (45 FINISH) = HIGH TEMP NYLON 6T UL94V-0, BLACK
 CONTACTS = PHOSPHOR BRONZE

FINISH:

CONTACTS = 0.08 μ GOLD OVER NICKEL

ELECTRICAL:

CURRENT RATING = 3A MAX
 CONTACT RESISTANCE = 30 MILLIOHMS MAX
 INSULATION RESISTANCE = 5,000 MEGOHMS MIN
 VOLTAGE PROOF = 1,000V AC FOR 1 MINUTE

MECHANICAL:

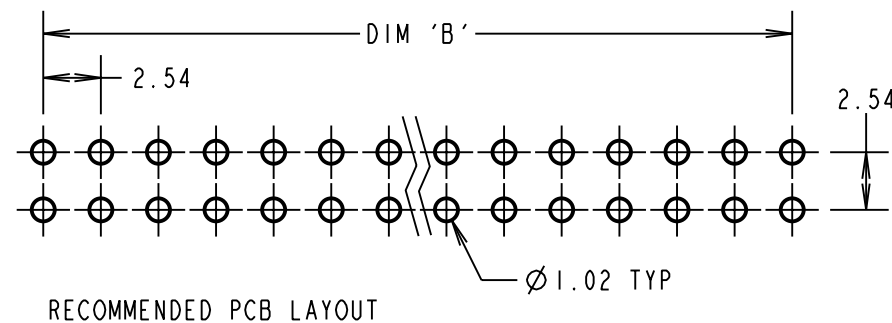
INSERTION FORCE (PER CONTACT) = 2.0N/MAX
 WITHDRAWAL FORCE (PER CONTACT) = 0.3N MIN

ENVIRONMENTAL:

TEMPERATURE RANGE = -55°C TO +105°C

PACKING:

TUBE



ORDER CODE:
M20-610XXXX
 No. OF WAYS PER ROW
 20, 32
 FINISH:
 05 = GOLD
 45 = GOLD (RoHS COMPLIANT)

CP	10	24.06.10	10845
NAME	ISS.	DATE	C/NOTE
APPROVED: C.PENROSE			
CHECKED: R.ADDE			
DRAWN: W.J.BOURNE			
CUSTOMER REF.:			
ASSEMBLY DRG:			

No. OF WAYS PER ROW	DIM 'A'	DIM 'B'
20	51.46	48.26
32	81.94	78.74

HARWIN

HARWIN USA TEL: 603 893 5376 FAX: 603 893 5396 mis@harwin.com	HARWIN Europe (UK) TEL: 023 9231 4545 FAX: 023 9231 4590 mis@harwin.co.uk	HARWIN Asia TEL: +65 6 779 4909 FAX: +65 6 779 3868 mis@harwin.com.sg
--	--	--

THIS DRAWING AND ANY INFORMATION OR DESCRIPTIVE MATTER SET OUT HEREON ARE CONFIDENTIAL AND COPYRIGHT PROPERTY OF THE HARWIN GROUP AND MUST NOT BE DISCLOSED, LOANED, COPIED OR USED FOR MANUFACTURING, TENDERING OR FOR ANY OTHER PURPOSE WITHOUT THEIR WRITTEN PERMISSION.

TOLERANCES
 X. = ± 1 mm
 X.X = ± 0.25 mm
 X.XX = ± 0.10 mm
 X.XXX = ± 0.01 mm
 ANGLES = $\pm 5^\circ$
 UNLESS STATED

MATERIAL:
 SEE ABOVE
 FINISH: SEE ABOVE
 S/AREA: mm²

TITLE:
 PCI04 CONNECTOR (STACKTHROUGH)
 DRAWING NUMBER:
M20-610XXXX
 SHT 2 OF 2